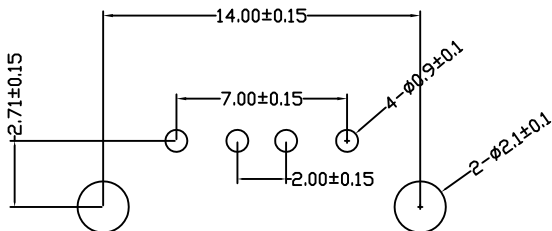
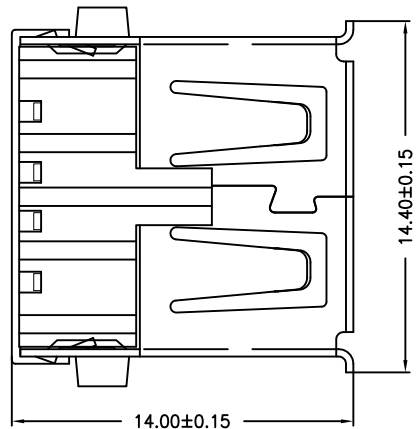
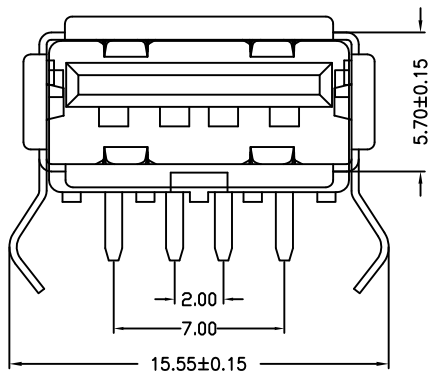
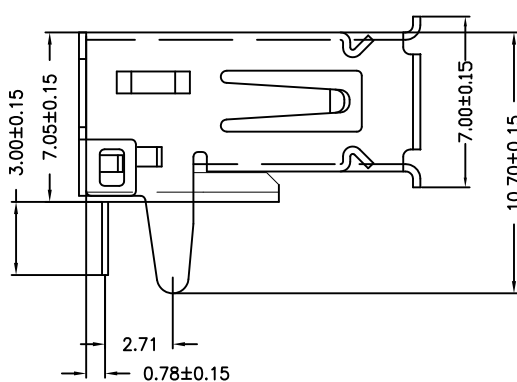


|            |                      |            |
|------------|----------------------|------------|
| 目錄<br>MAPX | 設變內容<br>MODIFICATION | 日期<br>DATE |
|            |                      |            |



RBCOMMENDBD P.C.B PATTBRN LAYD UT

备注：侧弹分为外弹与内弹

NOTES:  
 Housing: Thermoplastics  
 Contact: Copper Alloy  
 Shell: Copper Alloy/Steel  
 Voltage Current Rating: 1.5 AMP. 30V AC  
 Insulation Resistance: 1000MΩ Min.  
 Contact Resistance: 30 MΩ Max.  
 Dielectric Withstanding Voltage: 500V AC  
 Temperature Range: -35°C to +85°C  
 Insulator color: Black/White  
 Plastic material: PBT/LCP/Others  
 Shell finish: Nickel plated/Tin-Lead plated  
 Mechanical:  
 Mating Force: 3.5KG MAX  
 Unmating Force: 0.7 KG MIN.  
 Contact finish:  
 01: Selective Gold Flash  
 02: Selective Gold 3U"  
 03: Selective Gold 5U"  
 04: Selective Gold 15U"  
 05: Selective Gold 30U"

| 产品图<br>PRODUCT CHART DWG            |       |       |       |             |            |               |       |                          |        |
|-------------------------------------|-------|-------|-------|-------------|------------|---------------|-------|--------------------------|--------|
| 公差一览表<br>TOLERANCE UNLESS OTHERWISE |       |       |       | 单位<br>UNITS | MM         | 制图<br>DRAWING | Z-Y-B | 产品料号<br>PRODUCT PART NO. |        |
| X.                                  | ±0.25 | X'    | ±5°   | 比例<br>SCALE | 1:1        | 审核<br>CHKD    |       | 产品名称<br>PRODUCT NO.      | C39435 |
| .XX                                 | ±0.15 | .XX'  | ±1°   | 日期<br>DATE  | 2014/10/20 | 核准<br>APPD    |       | 角法<br>VIEW               | ⊕      |
| .XXX                                | ±0.10 | .XXX' | ±0.5° |             |            |               |       | 版本<br>VER                | A0     |